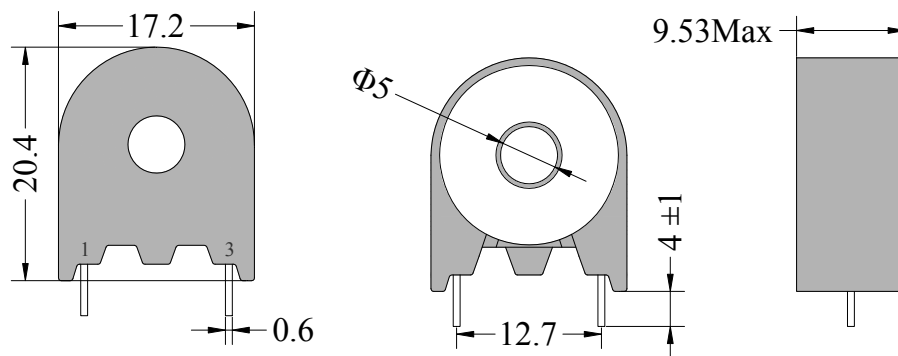


Features:

Current sense inductors, as feedback elements linking the output and pulse control circuitry, allow low-cost regulation of switchmode power supplies Fully encapsulated with a frequency of 200 kHz maximum
 Isolation Pri to Sec: 2500
 Vac Pri. current: 15 A maximum
 L: Inductance: (1-3) tested at 10 KHz & 10 Mv



Electrical Characteristics:



Electrical Characteristics:

Electrical Specifications @ 25°C - Operating Temperature -40°C to +125°C					
Part Number	Prim/Sec Ratio	Sec L (mH MIN)	Sec DCR(Ω MAX)	V x τ(MAX)	Pulse Code
PZCT101M	50:1	5.0	0.65	175 VμS	FIS 101NL
PZCT111M	100:1	22.0	1.30	350 VμS	FIS 111NL
PZCT121M	200:1	94.5	4.50	700 VμS	FIS 111NL